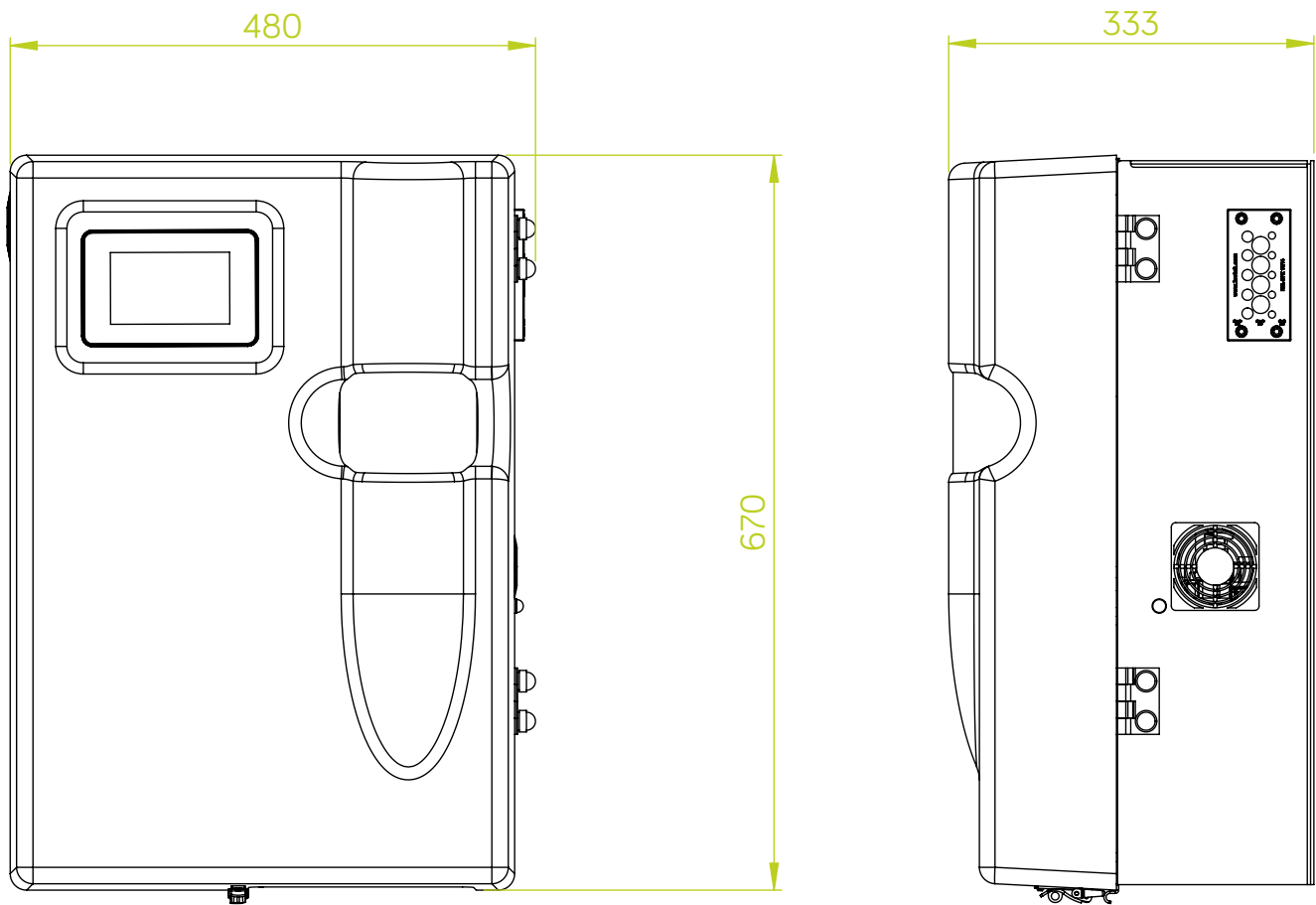


CHLORIDOS® IOX®-1 MODULAR 5-60

IN-SITU CHLORINE DIOXIDE GENERATION SYSTEM

Dimensions



Features

Control

- Chemical usage counters
- Variable output control
- Alarm and Event logs
- Service reminders
- Live process mimics
- Reagent refill reminders
- Vacuum batched reagents
- Water meter input with programmable dosing pulse output

Inputs

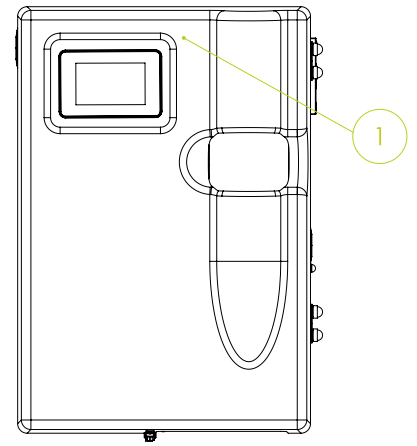
- Reagent A level
- Reagent B level
- E-stop
- Remote Inhibit
- Site water meter

Outputs

- Alarm signal contact
- Programmable relay output
- Modbus RTU/TCP
- VNC
- Email alerts
- MQTT

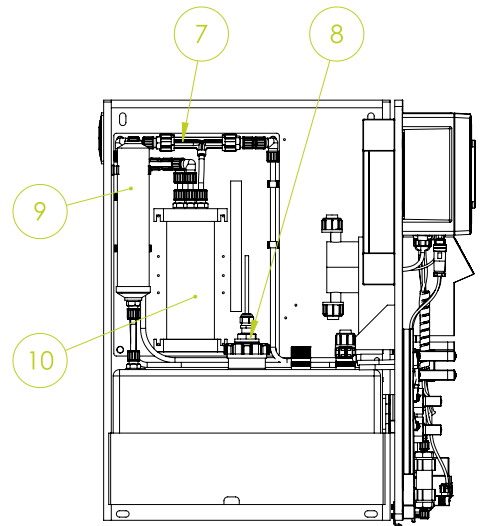
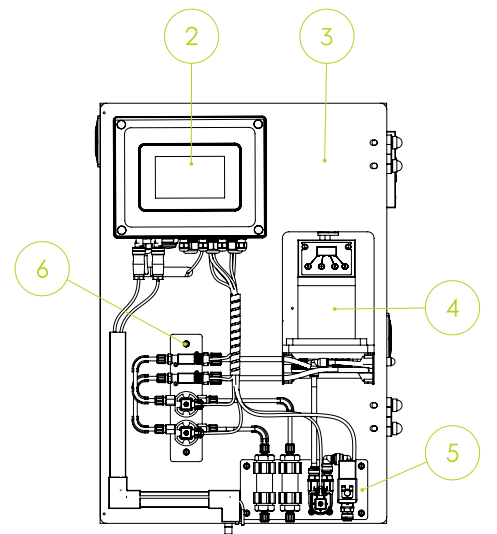
Schematics

Item	Feature Equipment
1	Protective cover
2	Touchscreen HMI
3	Polypropylene cabinet
4	Dosing pump (not included)
5	Inlet metering board
6	Chemical metering board
7	ClO ₂ Eductor
8	Product tank level switch
9	Gas scrubber
10	Reaction vessel



Specifications

Reagent Data		5L	10L	20L	40L	60L
A (8-10% HCl)	w/w%	✓	✓	✓	✓	✓
B (7.5% NaClO ₂)	w/w%	✓	✓	✓	✓	✓
Reagent Temperature**	°C	10 – 30				
Product Output (Approx.)						
ClO ₂ Capacity	g/h	5	10	20	40	60
ClO ₂ Capacity	kg/d	0.12	0.24	0.48	0.96	1.44
ClO ₂ Solution	L/h	10	10	20	26	40
ClO ₂ Concentration	mg/L	500	1000	1000	1500	1500
ClO ₂ Storage Tank	L	8				
Operating Water (Potable Quality)						
Inlet Water Consumption	L/h	9.75	9.5	19	24	37
Inlet Water Pressure	MPa	0.1				
Inlet Water Temperature	°C	5 – 30				
Environmental						
Protection Class	IP	65				
Ambient Temperature	°C	5 – 40				
Humidity	% RH	90 (non-condensing)				
Electrical Data						
Supply Voltage	V~	110 – 230V				
Frequency	Hz	50/60				
Rated Power	W	60 (Excluding auxiliary equipment)				
Size Data						
Dimensions	mm	670H x 460W x 333D				
Weight	Kg	23				
Connections						
Inlet Water	-	8mmOD				
Inlet Water PRV	-	Inlet: ½" BSPF Outlet: 8mmOD				
Pump Suction	-	G5/8"				
Reagent Inlets	-	DN4/6				



Unit 3a Newhouse Road,
Huncoat Business Park,
Accrington, Lancashire BB5 6NT

Gaffey Technical Services Ltd.
call +44 (0)1254 350180
gaffeytechnology.com

a member of

BRITISH
WATER



Certificate No: 23892019