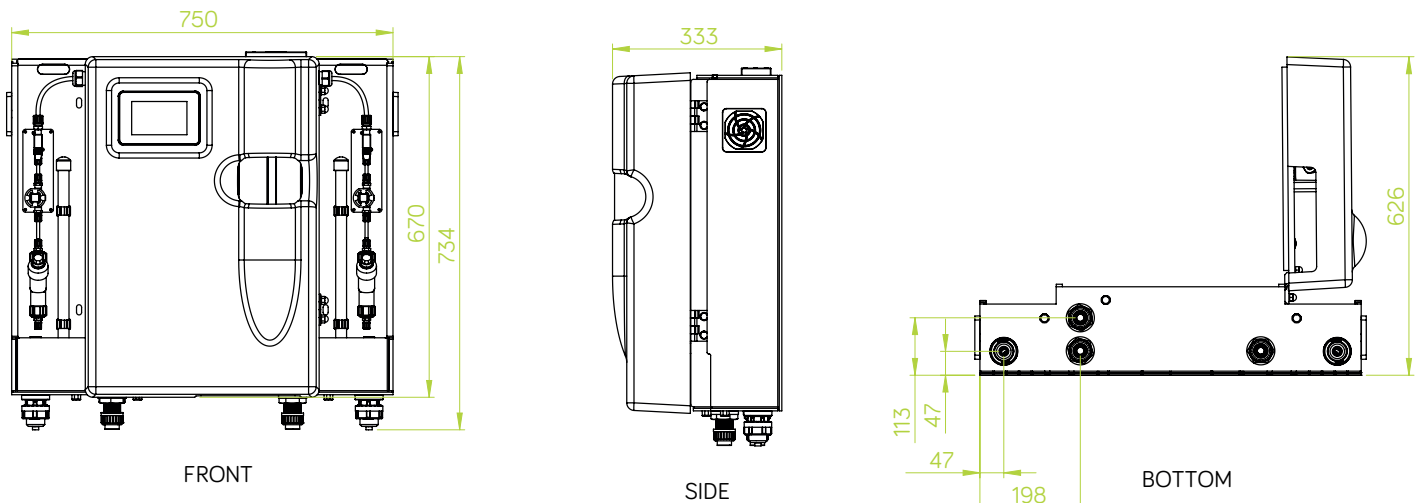


# CHLORIDOS® IOX®2 5-2000 MODULAR

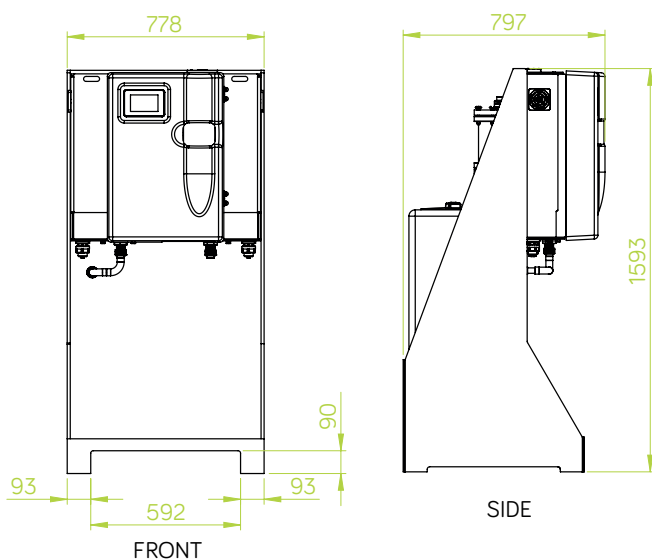
## IN-SITU CHLORINE DIOXIDE GENERATION SYSTEM

### Dimensions

#### Modular



#### Skid



### Features

#### Control

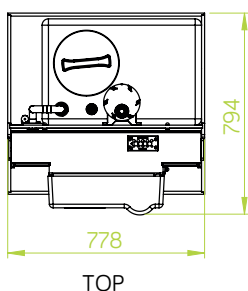
- Chemical usage counters
- Variable output control
- Alarm and Event logs
- Service reminders
- Live process mimics
- Adjustable reagent concentrations
- Reagent refill reminders
- Vacuum batched reagents
- Water meter input with programmable dosing pulse output

#### Inputs

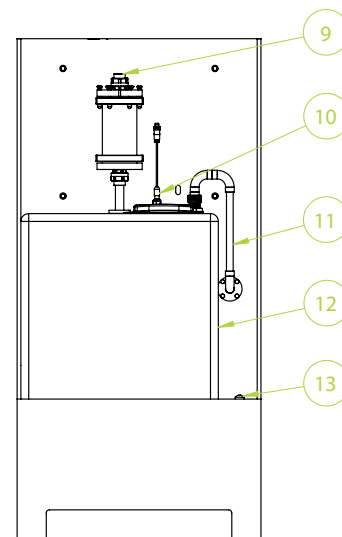
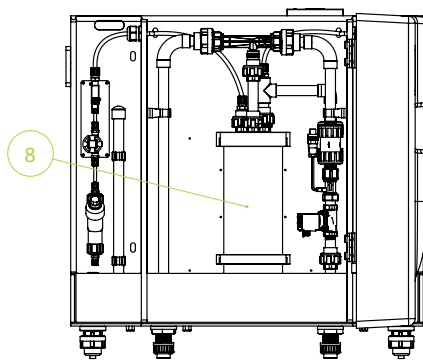
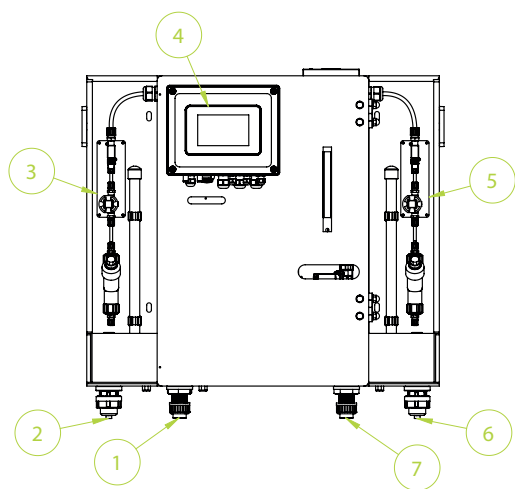
- Reagent A level
- Reagent B level
- Tank start/stop
- Tank high level
- Tank low level
- Batch control contact
- E-stop
- Remote Inhibit
- Site water meter

#### Outputs

- Alarm signal contact
- Modbus RTU/TCP
- Email alerts
- VNC



## Schematics



## Specifications

Reagent Data		5L	10L	20L	40L	80L	125L	125M	125H	250L	250M	250H	500M	500H	1000H	2000H		
A (8-10% HCl)*	w/w%	✓	✓	✓	✓	✓	✓			✓								
A (14-15% HCl)	w/w%							✓			✓		✓					
A (28-32% HCl)**	w/w%								✓			✓		✓	✓	✓		
B (7.5% NaClO <sub>2</sub> )*	w/w%	✓	✓	✓	✓	✓	✓			✓								
B (14% NaClO <sub>2</sub> )	w/w%							✓			✓		✓					
B (25% NaClO <sub>2</sub> )**	w/w%								✓			✓		✓	✓	✓		
Reagent Temperature***	°C	10 - 30																
<b>Product Output (Approx.)</b>																		
ClO <sub>2</sub> Capacity	g/h	5	10	20	40	80	125	125	125	250	250	250	500	500	1000	2000		
ClO <sub>2</sub> Capacity	kg/d	0.12	0.24	0.48	0.96	1.92	3	3	3	6	6	6	12	12	24	48		
ClO <sub>2</sub> Solution	L/h	2.5	5	10	20	40	62.5	62.5	62.5	125	125	125	250	250	500	1000		
ClO <sub>2</sub> Concentration	mg/L	2000					1800											
ClO <sub>2</sub> Storage	L	200 (Skid Systems Only)																
<b>Operating Water (Potable Quality)</b>																		
Inlet Water Consumption	L/h	2.25	4.5	9	18	36	56	60	61	112	120	122	240	240	480	960		
Inlet Water Pressure	MPa	0.10 - 0.20					0.15 - 0.20										0.2	0.3
Inlet Water Temperature	°C	5 - 30																
<b>Environmental</b>																		
Protection Class	IP	65 (Indoor Use)																
Ambient Temperature	°C	5 - 40																
Humidity	% RH	90 (Non-Condensing)																
<b>Electrical Data</b>																		
Supply Voltage	V~	110 - 230V																
Frequency	Hz	50 - 60																
Rated Power	W	60 (Excluding auxillary equipment)																
<b>Size Data</b>																		
Dimensions	mm	Modular: 729H x 750W x 333D / Skid: 1593H x 778W x 797D																
Weight	Kg	Modular: 32 / Skid: 85																
<b>Connections</b>																		
Inlet Water	-	½" / 20mm Solvent Welded Union End / G1"																
Inlet Water Prv	-	R½" / G¾"																
Product Outlet	-	½" / 20mm Solvent Welded Union End / G1"																
Reagent Inlets	-	6mmOD x 4mmID																
Reagent Dual Containment	-	20mmOD (12.5mmD x 18.5mmOD Hose)																
SDR Valve (Anti-syphon)	-	G5/8" - 6mmOD x 4mmID Hose connection																

Item	Feature Equipment
1	Product Outlet
2	Reagent A Inlet
3	Reagent A Metering
4	HMI
5	Reagent B Metering
6	Reagent B Inlet
7	Dilution Water Inlet
8	Reaction Vessel
9	Gas Scrubber
10	Dual Float Level Switch
11	Product Tank Inlet
12	Product Storage Tank
13	Bund Flood Float Switch

\* 10% HCl & 7.5% NaClO<sub>2</sub> are the maximum concentrations permitted for use with the chloriDOS® iOX® 5 - 80.

\*\* 32% HCl & 25% NaClO<sub>2</sub> are the maximum concentrations permitted for use with the chloriDOS® iOX® 125 - 2000.

\*\*\* Reagents below 10°C in temperature can cause solenoid valve seals to become compromised which causes reagent overfeeds and valve failures.

Unit 3a Newhouse Road,  
Huncoat Business Park,  
Accrington, Lancashire BB5 6NT

Gaffey Technical Services Ltd.  
call +44 (0)1254 350180  
gaffeytechnology.com

a member of

**BRITISH**  
WATER



Certificate No: 238922019