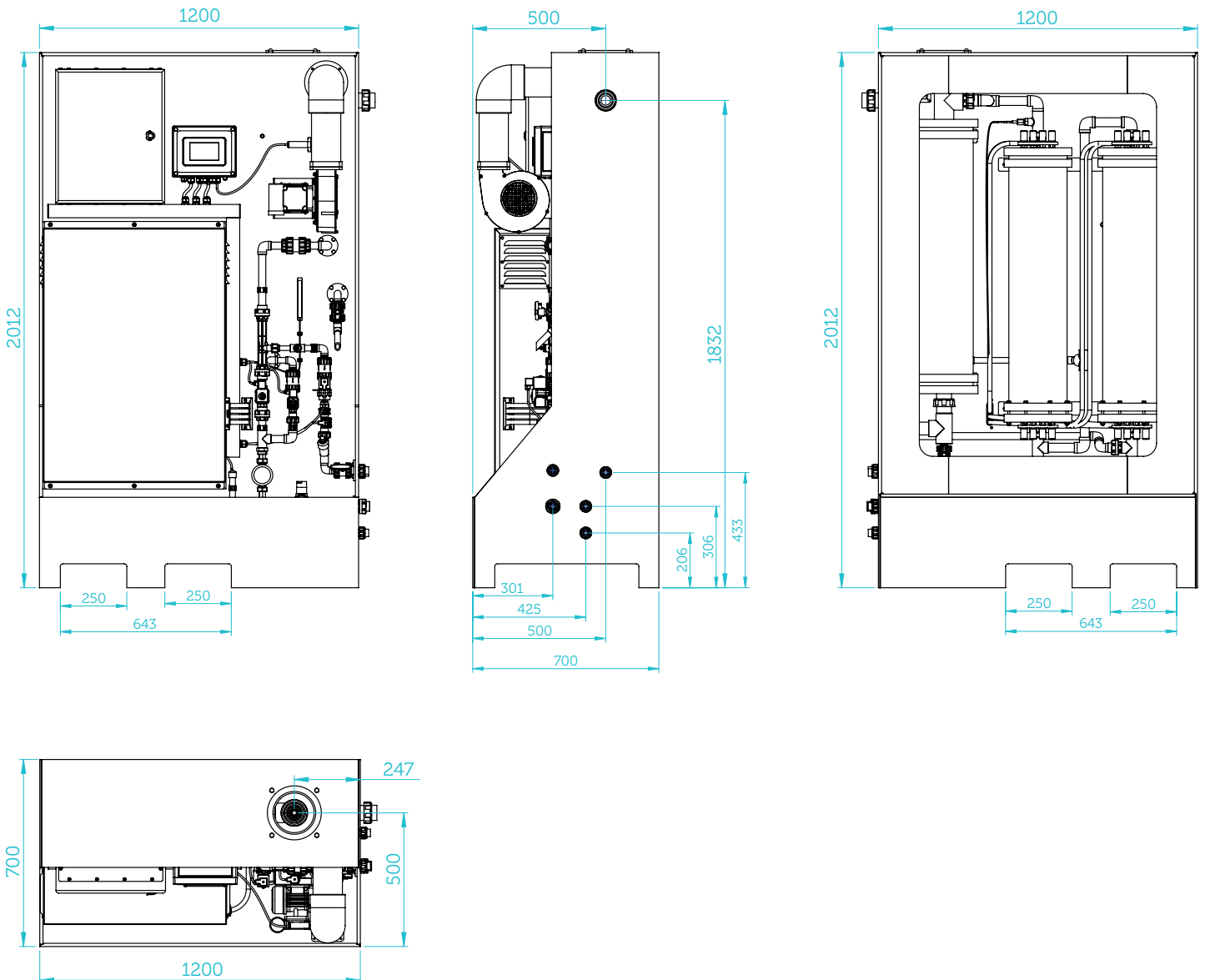


# HYPROLYSER<sup>®</sup> iSEC<sup>®</sup>-4 MODULAR 5000

## IN-SITU SODIUM HYPOCHLORITE GENERATION SYSTEM

### Dimensions



## Features

### Control

- DSEAR Compliance
- Eco Salt/Auto/Soft start operation modes
- Electrolyser CIP facility
- Precise volumetric softened water & volumetric vacuum brine feed
- Advance multi-point temperature monitoring & auto-control compensation
- Volumetric airflow dilution monitoring

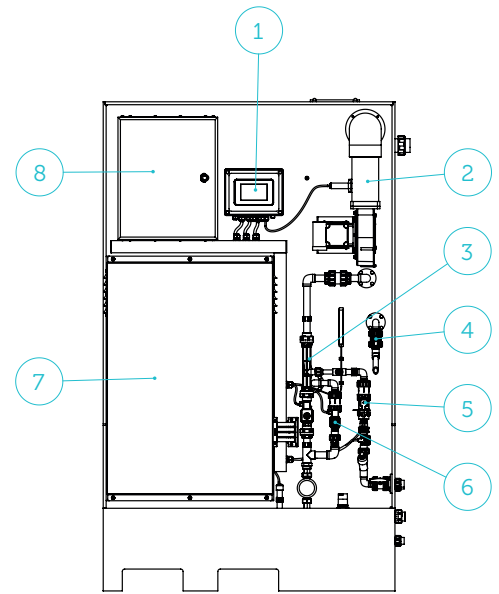
- Alarm & event logs
- Service reminders
- Live process & IO mimics Inputs

### Inputs

- External tank level control
- Remote inhibit
- E-Stop
- Batch control

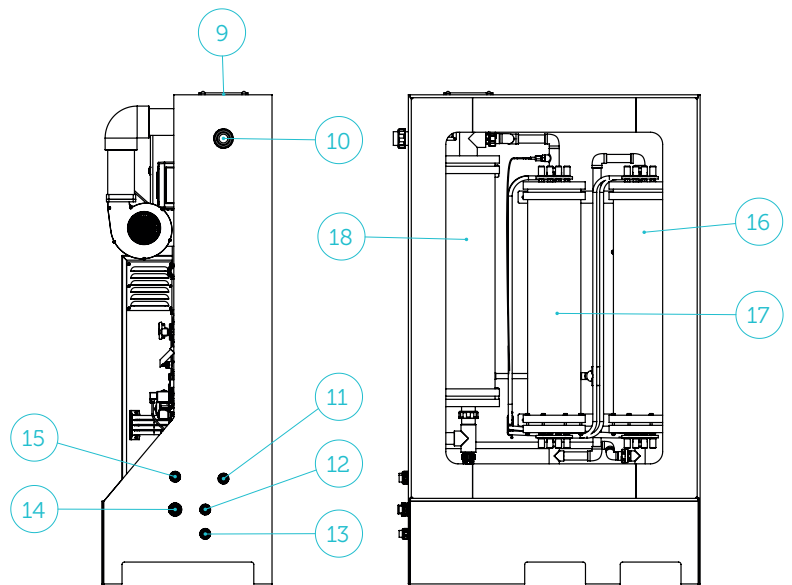
### Outputs

- Alarm signal contact
- Modbus RTU/TCP
- Email alerts
- VNC
- MQTT



## Specifications

Product Output (Approx.)		iSEC-4
Cl <sub>2</sub> capacity	g/h	5000
Cl <sub>2</sub> concentration	mg/L	7 +/- 0.5
NaClO solution	L/h	715
Inlet Water Specification		
Pressure	MPa	0.2 - 0.8
Temperature	°C	5 - 27
Hardness (CaCO <sub>3</sub> )	mg/L	<20
Environmental		
Ambient temperature	°C	5 - 40
Humidity	% RH	90
Electrical Data		
Supply voltage	V~	400V 3N~
Frequency	Hz	50 / 60
Max. rated power	kVA	60
Consumption		
Power (kWh/kg Cl <sub>2</sub> )	kWh	4.0 - 5.0
Salt (kg/kg Cl <sub>2</sub> )	Kg	3.0 +/- 0.2
Connections (Modular)		
Water inlet	-	¾" / 25mm
Brine inlet	-	½" / 20mm
Drain/CIP Inlet	-	½" / 20mm
Drain/CIP outlet	-	½" / 20mm
Product outlet	-	1 ½" / 50mm
Vent outlet	-	2" / 63mm
Other		
Tank fill level	m	1.8 - 3.0 (Room height dependent)



## Schematics

Item	Feature Equipment	Item	Feature Equipment
1	Touchscreen HMI	10	Product outlet
2	Air dilution & monitoring	11	Degassing column drain / CIP outlet
3	Brine eductor	12	Electrolyser 2 drain
4	Product sample valve	13	Electrolyser 1 drain / CIP inlet
5	Brine flow meter	14	Softened water inlet
6	Dilution water flow meter	15	Brine inlet
7	DC Power supply	16	Electrolyser 1
8	Power distribution	17	Electrolyser 2
9	Vent outlet	18	Degassing column

Unit 3a Newhouse Road,  
Huncoat Business Park,  
Accrington, Lancashire BB5 6NT

Gaffey Technical Services Ltd.  
call +44 (0)1254 350180  
gaffeytechnology.com

a member of

**BRITISH**  
WATER



Certificate No: 238922019